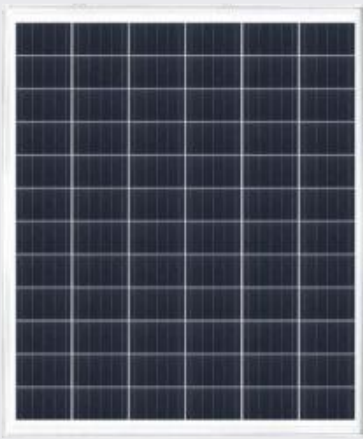




WWW.RESUNSOLAR.COM



## RS6F-200P

RS6D-M is a robust solar module with 72 solar cells. These modules can be used for on-grid solar applications. Our meticulous design and production techniques ensure a high-yield, long-term performance for every module produced. Our rigorous quality control and in-house testing facilities guarantee Resun Solar's modules meet the highest quality standards possible.

**72 Cells**

Mono-crystalline

**200W**

Power output

**15.19%**

The Highest Efficiency

**0~ +5W**

Tolerance



High module conversion efficiency (up to 15.19%), through superior manufacturing technology



Guaranteed 0~+5W positive power output tolerance ensures high reliability



Anti-reflective, hydrophobic coating improves light absorption and reduces surface dust

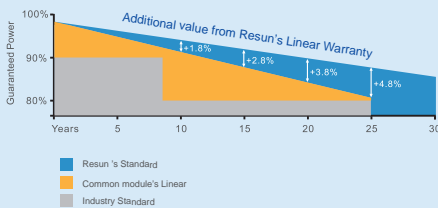


Excellent performance under low light environments (mornings, evenings and cloudy days)



Suitable for harsh environments, such as coasts, deserts and lakes. Withstand high level of wind loads (2400pa) and snow loads (5400pa)

**0.5% Annual Degradation over 30 years**



**LINEAR PERFORMANCE WARRANTY**  
12 year Product Warranty / 30 year Linear Power Warranty

Full range of products and certification systems

ISO 9001 TUV PID-FREE CE IEC61215/61730/61701/62716

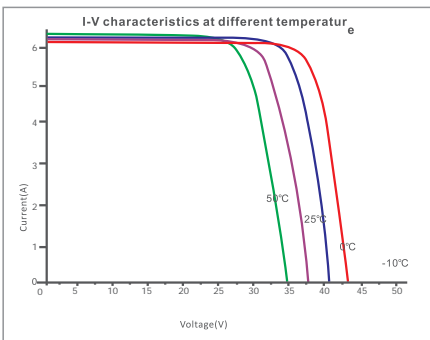
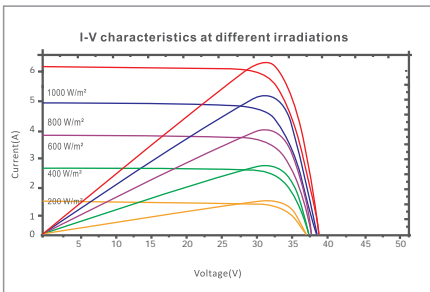
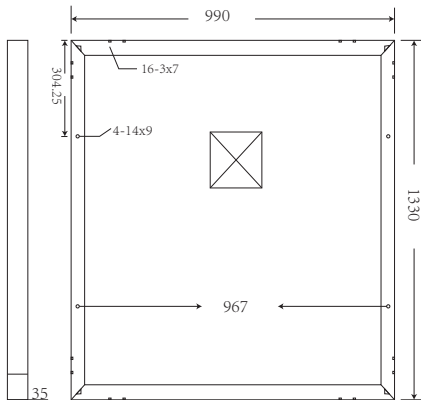
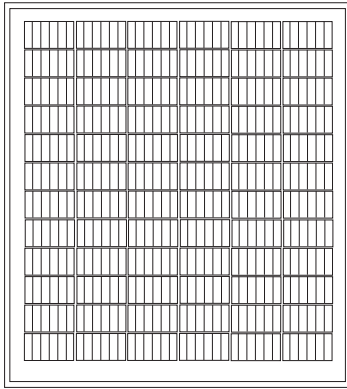


# RS6F-200P



GLOBAL PROFESSIONAL PV PRODUCTS INTERGRATED SOLUTIONS SUPPLIER

Dimension of PV Modules Unit: mm



## ELECTRICAL DATA(STC)

Rated Power in Watts-Pmax(Wp)	200W
Open Circuit Voltage-Voc(V)	22.62V
Short Circuit Current-Isc(A)	11.52A
Maximum Power Voltage-Vmp(V)	18.55V
Maximum Power Current-Imp(A)	10.78A
Module Efficiency (%)	15.19%

STC: Irradiance 1000 W/m<sup>2</sup>, Cell Temperature 25°C, Air Mass AM1.5 according to EN 60904-3.

## ELECTRICAL DATA(NOCT)

Maximum Power-Pmax (Wp)	149W
Open Circuit Voltage-Voc (V)	20.88V
Short Circuit Current-Isc (A)	9.34A
Maximum Power Voltage-Vmp(V)	17.23V
Maximum Power Current-Imp(A)	8.65A

NOCT: Irradiance at 800 W/m<sup>2</sup>, Ambient Temperature 20°C, Wind Speed 1 m/s.

## MECHANICAL DATA

Solar cells	Mono-crystalline 156x93mm, 4 or 5 Bus bars
Cell configuration	72 cells(6x12)
Module dimensions	1217x992x35mm
Weight	13KGS
Front Cover	3.2mm Tempered Glass
Frame Material	Anodized Aluminum Alloy
J-BOX	IP65 or IP67, 6 Diodes
Cable	4mm <sup>2</sup> (IEC)/12AWG(UL),1000mm
Connectors	MC4 or MC4 Comparable
Standard Packaging	29pcs/pallet

## TEMPERATURE & MAXIMUM RATINGS

Nominal Operating Cell Temperature (NOCT)	45°C±2°C
Temperature Coefficient of Voc	-0.32%/°C
Temperature Coefficient of Isc	0.05%/°C
Temperature Coefficient of Pmax	-0.39%/°C
Operational Temperature	-40~+85°C
Maximum System Voltage	1000V(IEC)/600V(UL)
Max Series Fuse Rating	10A
Limiting Reverse Current	10A

## PACKAGING CONFIGURATION

	40HQ	20GP
Number of modules per container	1320pcs	604pcs
Package	2pcs/carton box	1pcs/carton box
Package Weight	15.5kg/carton box	15.5kg/carton box
Package Number	1320carton boxes	604carton boxes
Package Dimension	1340*1000*45mm/carton box	1340*1000*45mm/carton box